



Cub



BRUSH



GRASS

TRANSPORT POSITION

The TIGER CUB is the boom mower for Multi-Service vehicles. The TIGER CUB uses many of the standard features you have learned to expect from TIGER the leader in high performance boom mowers. The TIGER CUB features a reach of 13' 6" out and 11' 6" high for those hard to reach places. The outer boom features a hydraulic breakaway system protecting the boom and machine regardless of boom position.

The TIGER CUB can be attached to Multi-Service Vehicles such as the Belos Giant or the M-B MSV tractors. Select either a Brush or Grass head for your cutting needs. Powered by the tractors hydraulic system the TIGER CUB can cut material up to 4" in diameter with our Brush head.



The Tiger CUB can quickly be detached from the tractor in minutes. Three independent jack stands come standard with the unit for easy adjustment during the attaching or removal of the boom mower.

Features

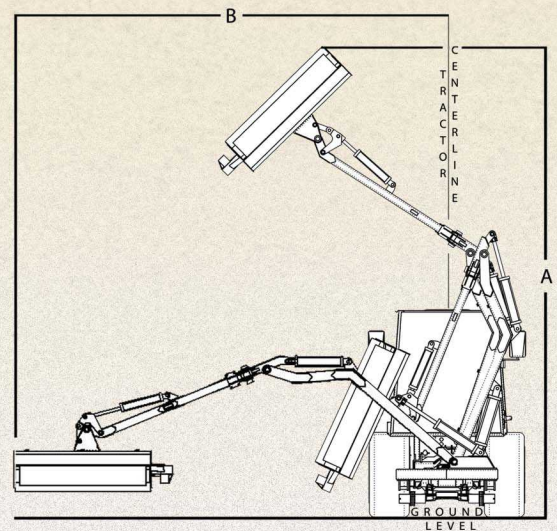
A. Reach Up 11' 6"

B. Reach Out 13' 6"

All dimensions based on a flail head.
Tire size and other factors may affect values.

Material	up to 4" with Brush Knives	
Cutter Width	37" Brush	
	37" Grass	
	50" Grass	

Knife Option	Brush	Cast, 33 oz.
	Grass	All Purpose



Tiger Corporation
Sioux Falls, SD
800-843-6849

www.tigermowers.com

Specifications are subject to change without notice.
Optional equipment maybe shown.

© 2010 Tiger Corporation. All Rights Reserved. Printed in the USA

Tiger Cub